

DATA SHEET

VASF 2.80/1-1.AC230

SIDE CHANNEL BLOWERS

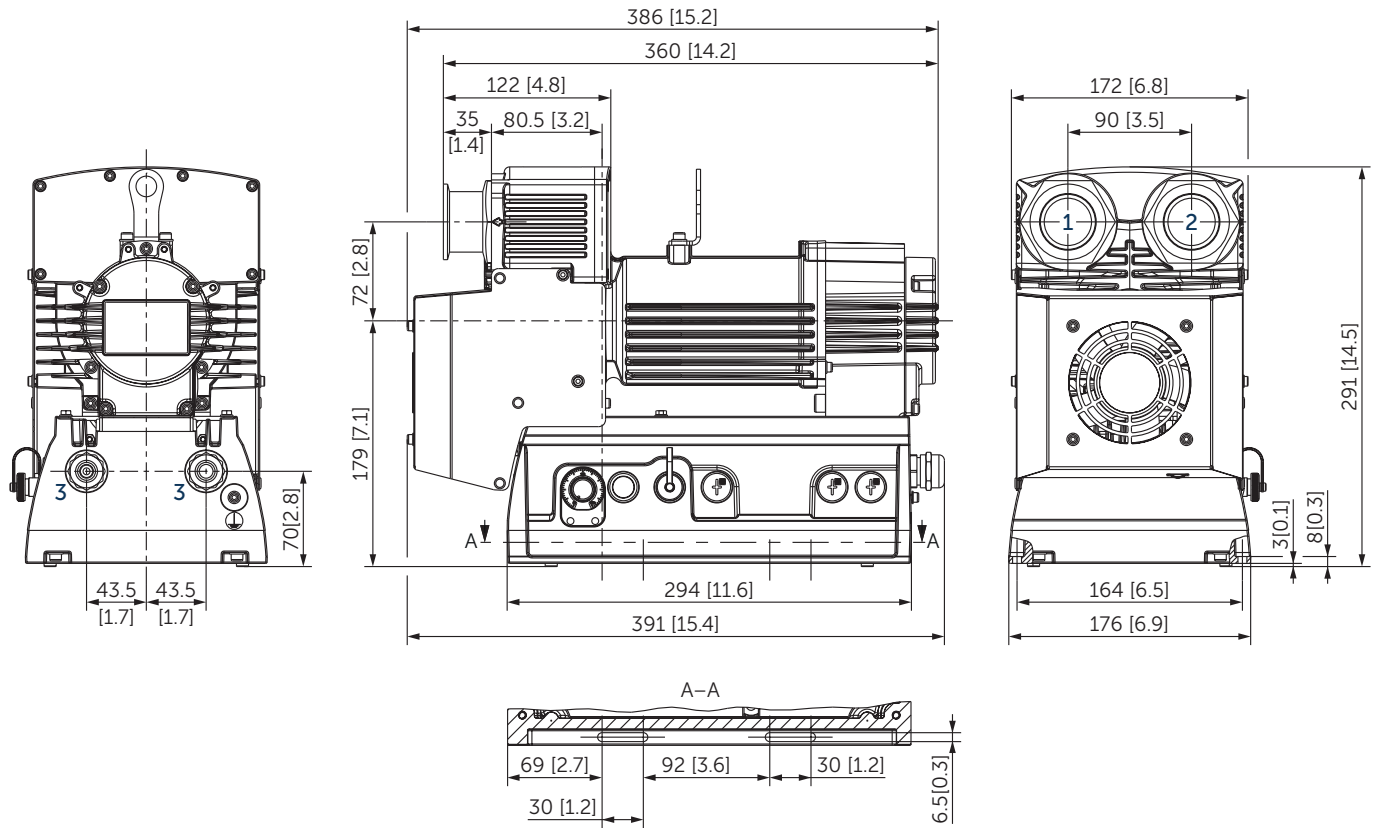
single stage, air-cooled, gas-tight
VARIAIR frequency inverter

MAKE IT BECKER.



VARIAIR
SPEED FLOW

 **BECKER**



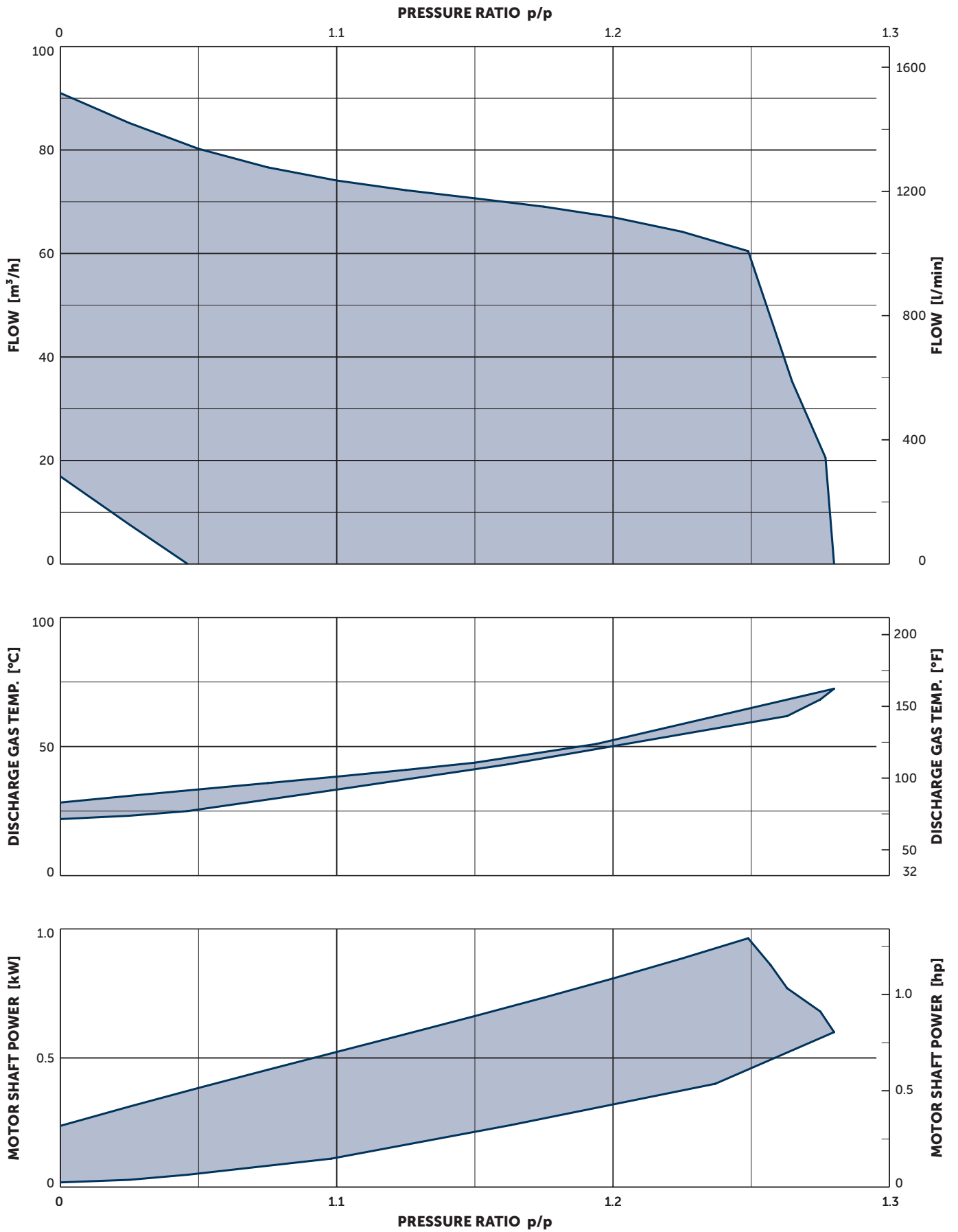
- 1 Vacuum connection DN 40 ISO-KF (DIN 28403)
- 2 Pressure connection DN 40 ISO-KF (DIN 28403)
- 3 SKINTOP MS-SC-M20x1.5 / Klemmbereich Ø 7–13 mm [0,3–0,5 inch]
- Abmessungen in mm [inch]

Flow ¹⁾	Pressure ratio p/p ¹⁾	Frequency	Emission sound pressure level ²⁾	Weight		
m ³ /h	mbar	Hz	dB(A)	kg		A
max.	max.					max.
91	1.28	50–250	59	14	1.1 kW AC 1~ 200 V -10% ... 230 V +10% 50/60 Hz	10

▪ VASF 2.80/1–1.AC230 gas-tight: leakage rate <math><1 \times 10^{-5}</math> mbar l/s (<math><1 \times 10^{-6}</math> Pa m³/s) measured with a helium leak detector, integral for the complete unit

¹⁾ Measured for air at reference data; Reference data (atmosphere): 1000 mbar (100 kPa), 20°C (68°F); Tolerance: ±10%

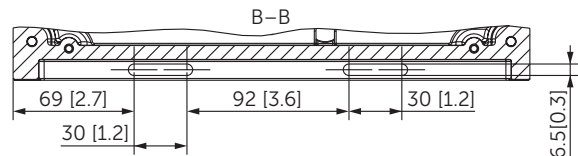
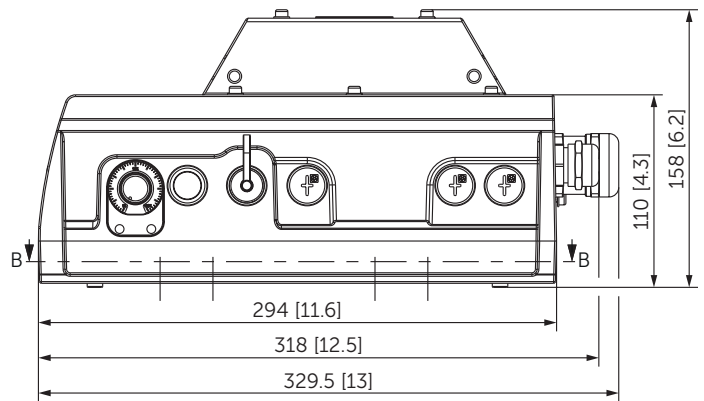
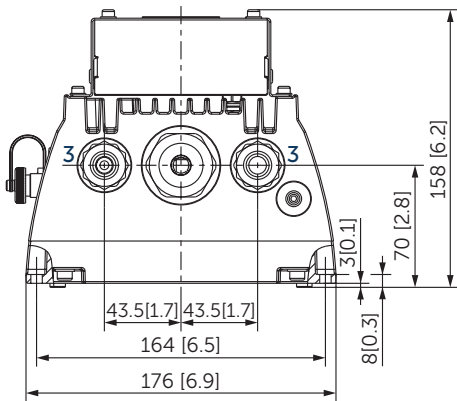
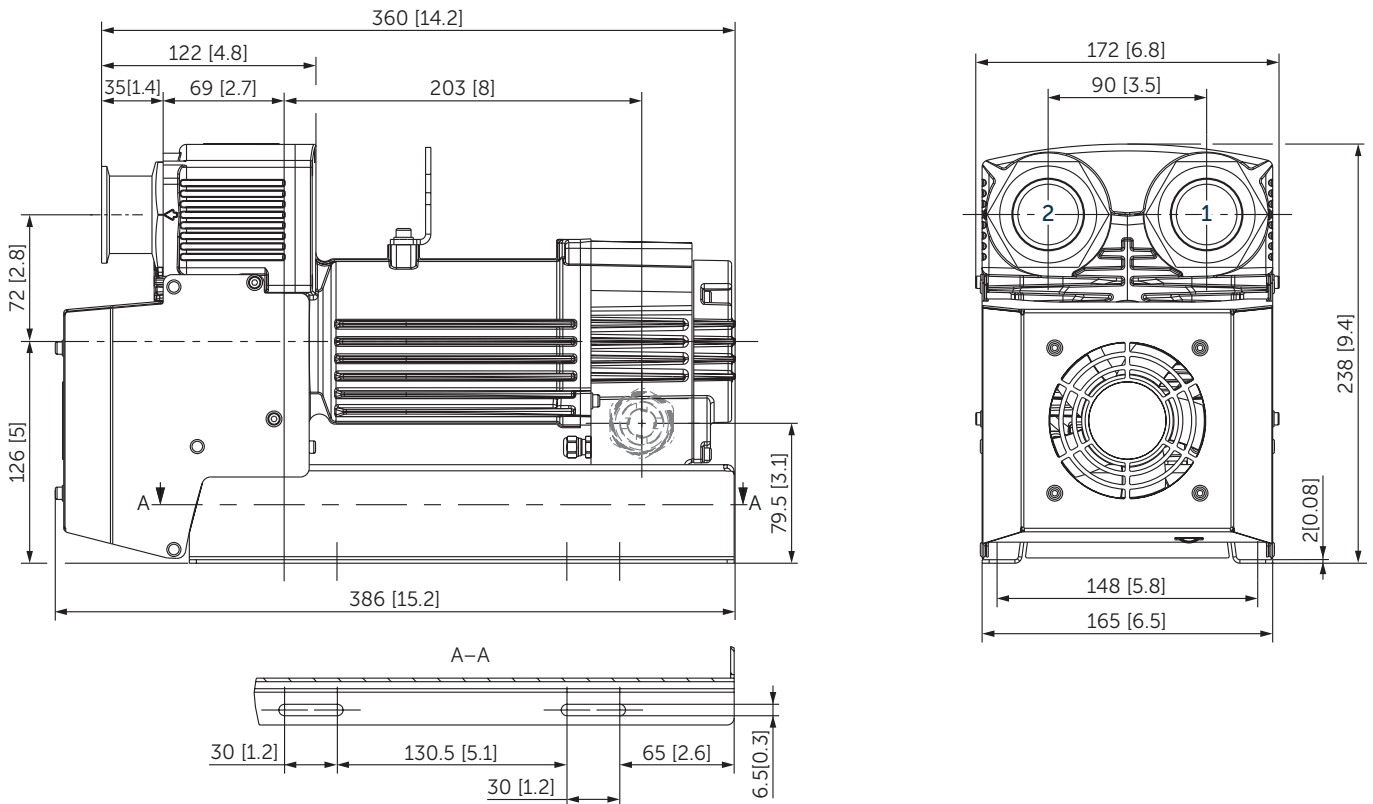
²⁾ According to DIN EN ISO 11203, accuracy class of measurement: class 2, extended measurement uncertainty: 3 dB
1 m [39.4 inch] distance, at medium load, both connection sides piped, suction side unloaded



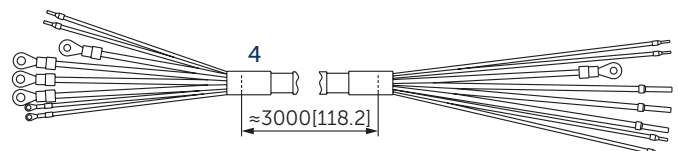
Reference data (atmosphere): 1000 mbar (100 kPa), 20°C (68°F)
 Tolerance: ±10%
 Measured for air (deviating characteristics for inert gases)
 Max. ambient temperature: ≤ 45°C (≤ 113°F)
 Presión de entrada: ≤ 1050 mbar (105 kPa)

+ VARIANTS AND ACCESSORIES

EXTERNAL VARIAIR FREQUENCY INVERTER



- 1 Vacuum connection DN 40 ISO-KF (DIN 28403)
 - 2 Pressure connection DN 40 ISO-KF (DIN 28403)
 - 3 SKINTOP MS-SC-M20x1.5
clamping range \varnothing 7–13 mm [0.3–0.5 inch]
 - 4 Accessory: Cable WN211-264 (no. 74202640000)
- Dimensions in mm [inch]





MAKE IT BECKER.